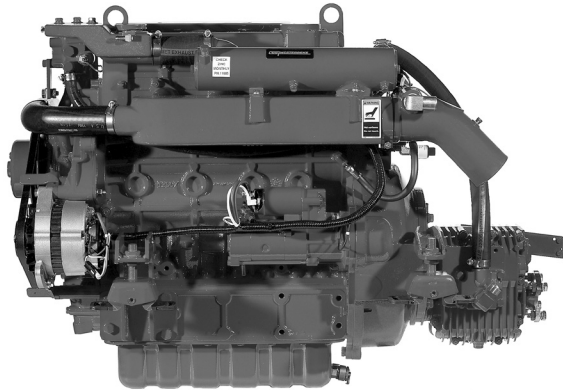




Extra low-end power at 2600 rpm...



65B Four Diesel Engine

Smooth and Quiet

The 65B Four offers 4-cylinder, 4-cycle smoothness. A tuned air intake silencer and 4-point vibration mounts diminish sound and vibration for a smooth and quiet ride.

Powerful and Reliable

The naturally aspirated 3.6 liter design of the 65B Four provides instant power as well as simplicity and reliability. The 65B Four is rated at a low 2600-rpm for longer engine life and delivers dependable power.

Easy Operation and Maintenance

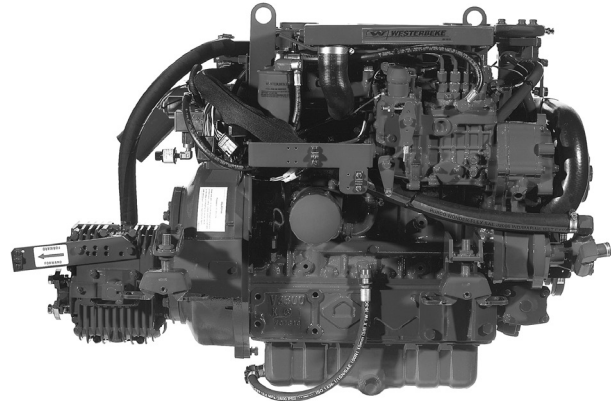
In order to minimize engine maintenance, a fresh water cooling system and "EZ-Bleed" fuel system are designed into the 65B Four. Some benefits are a standard front-mounted, raw water pump as well as a positive flow, hot water heater connection in the thermostat bypass circuit.

Many Optional Accessories

Many optional accessories are available including large single and dual output battery charging alternators and refrigeration compressor mounts. Factory engineered and factory installed, an owner or builder benefits from these complete and properly designed systems.

The Name You Can Trust

The presence of Westerbeke in over 65 countries around the world provides customers with easy access to parts, service and technical support worldwide. Established in 1937, Westerbeke is committed to providing its customers with quality products and unequaled after sales support.



65B Four Diesel Engine

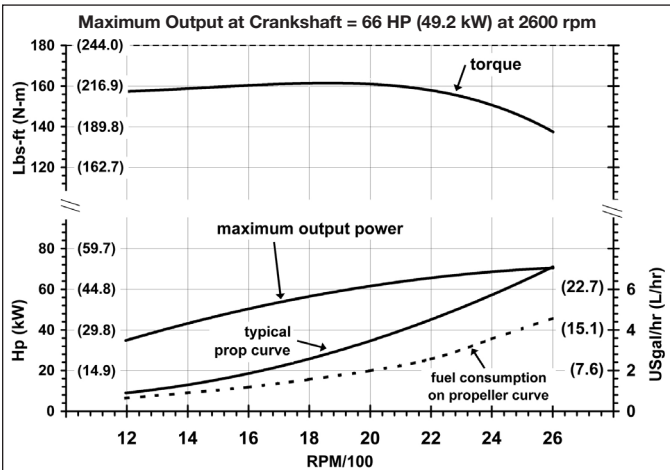
Standard Features

- Engine pre-wired to plug-in connector
- Circuit breaker protected electrical system
- Electric stop
- "EZ-Bleed" fuel system
- Gear-driven, raw water pump
- Fresh water cooled engine
- Fresh water lube oil cooler
- Transmission oil cooler
- 65 amp, 12 volt, battery charging alternator
- Domestic hot water connection
- Coolant recovery tank
- Throttle, stop, and shift control brackets
- Mounting centers 20" and 22.5"
- Low oil pressure and high water temperature alarms
- Marine transmission with 1:88:1 reduction
- Glow plug cold starting aid
- Engine matched four-point, fail-safe, adjustable mounts
- Lube oil drain hose
- Top and side oil fill
- Tuned air intake silencer
- Operators' manual and parts list
- Complies with U.S. EPA regulations



Optional Admiral Panel

Length 9.75" (247.7 mm)
Depth 4.0" (101.6 mm)
Height 6.0" (152.4 mm)



Westerbeke recommends a propeller that will allow the engine to turn 2600 rpm underway at full throttle. Output is according to ISO 8665/3046. Fuel density 0.840 kg/L at 15°C. Output includes +/- 5% tolerance.

Specifications

Number of cylinders	4 Cylinder vertical in-line
Cycles	4 cycle
Displacement	220.9 cu. in. (3.62 liter)
Bore and stroke	3.86" x 4.72" (98 mm x 120 mm)
Compression ratio	22.6:1
Maximum angle of installation	Not to exceed 14°
Maximum angle of operation	Not to exceed 25°
Crankshaft, direction of rotation	Counterclockwise as viewed from flywheel end
Propeller shaft, direction of rotation	Right hand – std. trans.
Dry weight	730 lbs. (331 kilos)
Combustion system	Indirect injection
Aspiration	Naturally aspirated
Lubrication system	Trochoid type pump
Cooling system	16 quarts (15.14 liters)
Starting aid	12 volt sheathed type glow plug
Engine stop	Electric
Fuel injection pump	Bosch type mini pump

Fuel Filter	Full flow, spin-on element
Lube oil filter	Full flow, spin-on element
Lubricant capacity (incl. filters)	14 quarts (13.3 liters)
Lube oil cooler	Fresh water cooled
Fuel transfer pump	12 volt electric type
Fuel supply and return piping	1/4" ID (6.35 mm) minimum 3/8" ID (9.53 mm) maximum
Starting motor	12 volt, solenoid, actuated shift
Cold cranking amps	400-600 amps (includes heater)
Electrical system	12 volts DC, negative ground
Governor	Mechanical
Injectors	Bosch type

Construction-Engine Components

Cylinder head	Cast Iron
Cylinder block	Cast Iron
Crankshaft	Forged crankshaft, five main bearings
Valves	Overhead valves
Intake system	Tuned air intake system for maximum noise reduction
Cooling system	Fresh water-cooled with heat exchanger
Exhaust manifold	Cast aluminum, fresh water-cooled

Optional Equipment

Captain panel with alarm (tachometer with lights)	
Admiral panel with alarms (tachometer with gauges)	
Dual station senders	
Other gear ratios	Consult local Distributor
Hydraulic transmissions	Consult local Distributor
Remote expansion tank	
Provisions for refrigeration compressor	
Muffler and fittings	
"A" and "B" on board spare parts kits	
Alternator, 100, 160, 190 amp single output	
Anti-siphon valve for overboard cooling discharge water	
Technical Manual	
Exhaust connection (water injected 45° or 70° elbow)	
Propeller shaft couplings (rigid/flexible)-available standard sizes	

Dimensions

Inches (millimeters)

